

2-way Diaphragm Valve

Cast stainless steel body,
pneumatically operated

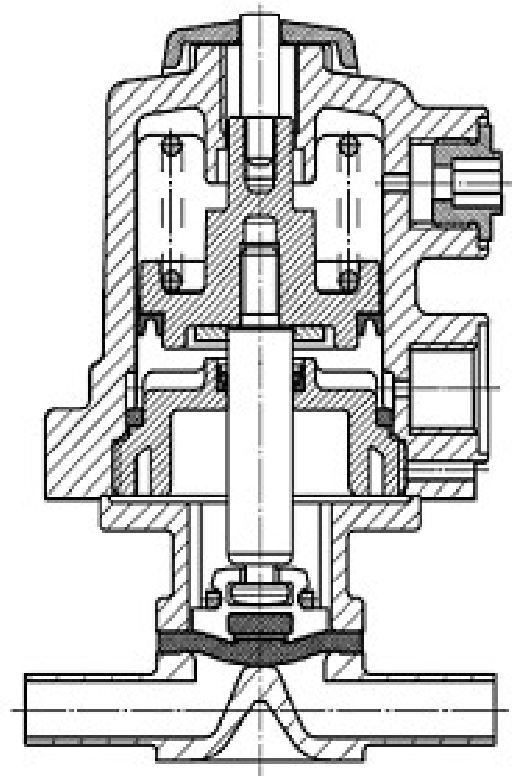


Description

Series 15 pneumatically operated diaphragm valve has a flow optimized stainless steel body, a diaphragm, and actuator. The stainless steel body is available with various surface finish. The diaphragm is both a switch as well as a sealing element for the media. It is easily replaceable. An actuator is provided for the protection of diaphragm and for opening and closing actuation of valve.

Main Features

- Cavity free and self-draining
- Hermetical separation of fluids from the operating mechanism by diaphragm
- Fully Autoclavable
- Full traceability as per EN 10204 3.1 and ASME BPE
- Various internal surface finish available each with less than 0.40 Ra
-



Dimensions

2-way diaphragm valve, cast stainless steel body, pneumatically operated

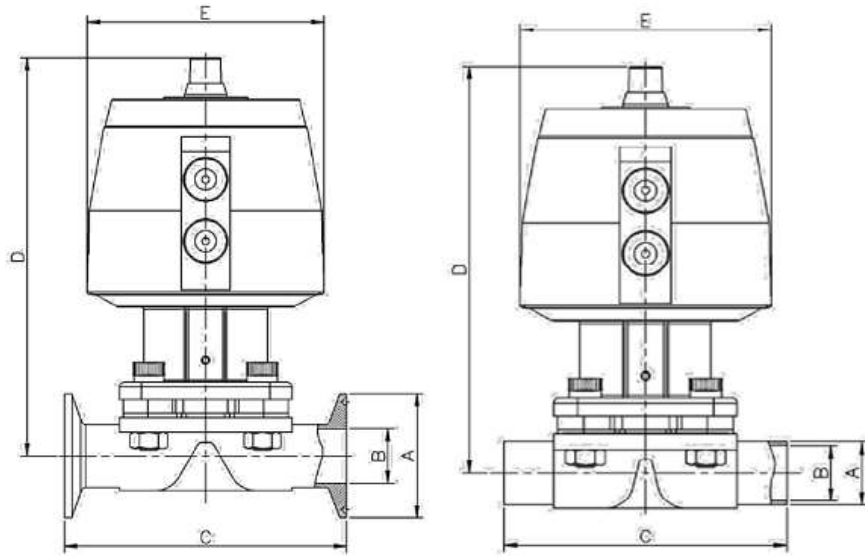


Figure 15-1 Body with V-band (Hygienic) Clamp Connector

Figure 15-2 Body with Butt-weld End

Figure 15 -1 Body with V-band (Hygienic) Clamp Connector

Connection Size	Flange OD	Pipe ID	Face to face length	Max. Valve Height From Pipe Center	Outside Diameter of Actuator
	A [mm]	B [mm]	C [mm]	D [mm]	E [mm]
1/2" mini	25	9.4	63.5	111.1	68
1/2" Regular	25	9.4	88.9	114.8	68
3/4"	25	15.75	101.6	117.6	68
1"	50.4	22.1	114.3	162.3	96
1 1/2"	50.4	34.8	139.7	234.2	151
2"	63.9	47.5	158.8	240.4	151
2 1/2"	77.4	60.2	193.8	267.7	180
3"	90.9	72.9	222.3	273.7	180

Figure 15 -2 Body with Butt-weld End

Connection Size	Flange OD	Pipe ID	Face to face length	Max. Valve Height From Pipe Center	Outside Diameter of Actuator
	A [mm]	B [mm]	C [mm]	D [mm]	E [mm]
1/2" mini	12.7	9.4	63.5	111.1	68
1/2" Regular	12.7	9.4	84	114.8	68
3/4"	19.05	15.75	84	117.6	68
1"	25.4	22.1	108	162.3	96
1 1/2"	38.1	34.8	131	234.2	151
2"	50.8	47.5	131	240.4	151
2 1/2"	63.5	60.2	154	267.7	180
3"	76.2	72.9	154	273.7	180

Technical Data

Processing medium

Neutral gases and liquids, high purity, sterile, aggressive or abrasive fluids

Temperature

Media temperature		Sterilization temperature		Ambient Temperature
EPDM	-10°C to 75°C	EPDM	Briefly up to 130°C	Up to 90°C
PTFE	-10°C to 90°C	PTFE	Briefly up to 150°C	

Operating pressure [bar]

Diaphragm size	EPDM	PTFE
8	0 - 8	0 - 6

All pressures are gauge pressures. Operating pressure values were determined with static operating pressure applied on one side of a closed valve. Sealing at the valve seat and atmospheric sealing is ensured for the given values. Information on operating pressures applied on both sides and for high purity media on request.

Valve body material

MOC – Wetted (Contact)	MOC – Non-wetted (Non- contact)
ASTM A351 CF3M (SS 316L)	Polyamide or ASTM A351 CF8 (SS 304)

End connection

V-band (Hygienic) Clamp	ASME BPE (EN ISO 1127/ISO 4200 and BS 4825 are available on request)
Butt-Weld	

Data Order

Connection Size		Type of Diaphragm		Certificate	
M5	1/2" Mini	EPDM	E	ISO 9001	9
R5	1/2" Regular	PTFE	P	ISO 9001 + 'CE'(PED)	P ¹
7	3/4"				
10	1"				
15	1 1/2"				
20	2"				
25	2 1/2"				
30	3"				
		Actuator Type		Connection Type	
		Normally Open (NO)	O	ASME BPE	A
		Normally Closed (NC)	C	BS 4825	B ²
		Doubled Actuator (DA)	A	EN ISO 1127 / ISO 4200	E ³

¹ - 'CE'-marking is applicable for valves with connection sizes 1 1/2", 2", 2 1/2" and 3" only.

² Valves with end connection sizes according to EN ISO 1127/ISO 4200 and BS 4825 are available on request

³ EN ISO 1127/ISO 4200 offers standards for butt-weld end connections only.

Type of End Connection	
Butt Weld	B
V- Band (hygienic) Clamp	T

Surface Finish	
Mechanical Polish	M
Electro Polish	E

Order Example	LE	15	A	10	E	O	6	E	T	9
Leistung										
Series #										
Conn. Type										
Conn. Size										
Type of diaphragm										
Actuator type										
Reserves										
Surface finish										
Type of end conn.										
Certificate										

Contact: sales@titanresearch.ca
<https://www.titangroupsupply.com/>
 Tell: 1-800-820-0092
 Fax: 1-416-849-0116

For further diaphragm valves, gaskets, compatible actuators & accessories and other products, please contact us for pricing.