

2-Way Diaphragm Valve,

**Forged stainless steel body,
pneumatically operated**



Description

Series 25 pneumatically operated diaphragm valve has a flow optimized stainless steel body, a diaphragm, and actuator. The stainless steel body is available with various surface finish. The diaphragm is both a switch as well as a sealing element for the media. It is easily replaceable. An actuator is provided for the protection of diaphragm and for opening and closing actuation of valve. This valve is designed for zero dead leg and can be mounted to be self-draining. This allows high flow capacity and variety of applications.

Main Features

- Cavity free and self draining
- Hermetical separation of fluids from the operating mechanism by diaphragm
- Fully machined from SS 316L bar-stock– no welded components
- Fully Autoclavable
- Full traceability as per EN 10204 3.1 and ASME BPE
- Various internal surface finish available each with less than 0.40 Ra

Dimensions

2-Way diaphragm valve, forged stainless steel body, pneumatically operated

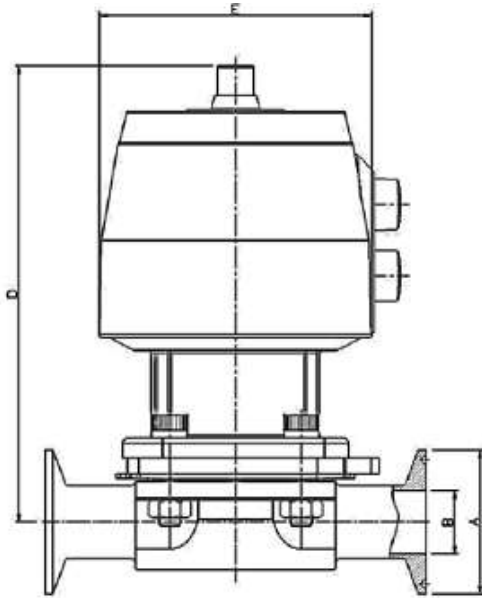


Figure 25-1 Body with V-band (Hygienic) Clamp Connector

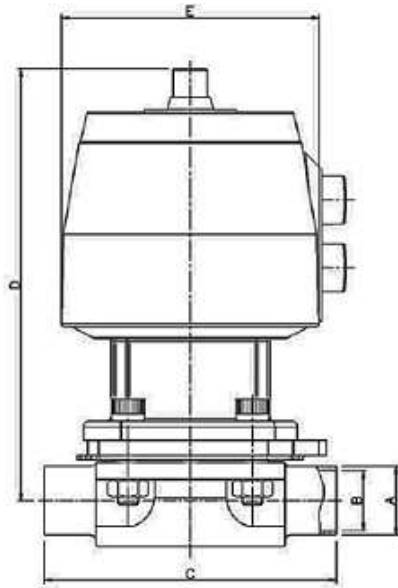


Figure 25-2 Body with Butt-weld End

Figure 25-1 Body with V-band (Hygienic) Clamp Connector

Connection Size	Flange OD	Pipe ID	Face to face length	Max. Valve Height From Pipe Center	Outside Diameter of Actuator
	A [mm]	B [mm]	C [mm]	D [mm]	E [mm]
1/2" mini	25.00	9.40	95.50	111.1	68.0
1/2" Regular	25.00	9.40	109.50	114.6	68.0
3/4"	50.40	15.75	109.50	117.7	68.0
1"	50.40	22.10	133.50	161.4	96.0
1 1/2"	50.40	34.80	156.50	234.3	151.0
2"	63.90	47.50	156.50	241.1	151.0
2 1/2"	77.40	60.20	179.50	267.8	180.0
3"	90.90	72.90	179.50	237.7	180.0

Figure 25-2 Body with Butt-weld End

Connection Size	Flange OD	Pipe ID	Face to face length	Max. Valve Height From Pipe Center	Outside Diameter of Actuator
	A [mm]	B [mm]	C [mm]	D [mm]	E [mm]
1/2" mini	12.70	9.40	70.0	111.1	68.0
1/2" Regular	12.70	9.40	84.0	114.6	68.0
3/4"	19.05	15.75	84.0	117.7	68.0
1"	25.40	22.10	108.0	161.4	96.0
1 1/2"	38.10	34.80	131.0	234.3	151.0
2"	50.80	47.50	131.0	241.1	151.0
2 1/2"	63.50	60.20	154.0	267.8	180.0
3"	76.20	72.90	154.0	237.7	180.0

Notes:

- 1. For V-band (Hygienic) clamp connections, clamp connector will be welded to the valve body with butt-weld end. Internal finish will be provided as per customer’s request.
- 2. Dimensions and tolerances for end connection and face-to-face length are as per ASME BPE.
- 3. All other dimensions are approximate and subject to change without prior notice.

Technical Data

Processing medium
 Neutral gases and liquids, high purity, sterile, aggressive or abrasive fluids

Temperature				
Media temperature		Sterilization temperature		Ambient Temperature
EPDM	-10°C to 75°C	EPDM	Briefly up to 130°C	
PTFE	-10°C to 90°C	PTFE	Briefly up to 150°C	

Diaphragm size	Operating pressure [bar]	
	EPDM	PTFE
8	0 - 8	0 - 6

All pressures are gauge pressures. Operating pressure values were determined with static operating pressure applied on one side of a closed valve. Sealing at the valve seat and atmospheric sealing is ensured for the given values. Information on operating pressures applied on both sides and for high purity media on request.

Valve body material	
MOC – Wetted (Contact)	MOC – Non-wetted (Non- contact)
ASTM A351 CF3M (SS 316L)	Polyamide or ASTM A351 CF8 (SS 304)

End connection	
V-band (Hygienic) Clamp	ASME BPE (EN ISO 1127/ISO 4200 and BS 4825 are available on request)
Butt-Weld	

Installation	
Installation for self draining mounting	Tilted 10°C to 35°C to the horizontal and inclined 3°C to 5°C to the direction of flow

Data Order

Connection Size	
M5	1/2" Mini
R5	1/2" Regular
07	3/4"
10	1"
15	1 1/2"
20	2"
25	2 1/2"
30	3"

Type of Diaphragm	
EPDM	E
PTFE	P

Certificate	
ISO 9001	9
ISO 9001 + 'CE' (PED 97/23/EC)	p ¹

Actuator Type	
Normally Open (NO)	O
Normally Closed (NC)	C
Doubled Actuating	A

Connection Type	
ASME BPE	A
BS 4825	B
EN ISO 1127 / ISO 4200	E ²

Type of End Connection	
Butt Weld	B
V- Band (hygienic) Clamp	T

Surface Finish	
Mechanical Polish	M
Electro Polish	E

Bonnet & handle Material of Construction ³	
ASTM A351 GR CF8	C
Polyamide	P

Order Example	LE	20	A	10	E	O	E	B	9
Leistung									
Series #									
Conn. Type									
Conn. Size									
Type of diaphragm									
Actuator type									
Surface finish									
Type of end conn.									
Certificate									

Notes:

- 'CE'-marking is applicable for valves with connection sizes 1 1/2", 2", 2 1/2" and 3" only.
- EN ISO 1127/ISO 4200 offers standards for butt-weld end connections only.
- Combination of polyamide bonnet and steel handle (LE10XXXXPCXXX) is not available.
- Valves with end connection sizes according to EN ISO 1127/ISO 4200 and BS 4825 are available on request

Contact: sales@titanresearch.ca
<https://www.titangroupsupply.com/>

Tell: 1-800-820-0092

Fax: 1-416-849-0116

For further diaphragm valves, gaskets, compatible actuators & accessories and other products, please contact us for pricing.