

Nozzle for Bio-process Equipment

Machined stainless steel body



Description

Series BN Leistung BPE nozzle has a stainless steel body with tank interface surface, a gasket, a hygienic adapter and screwed fitting for adapter attachment.

BPE nozzle is designed to be used as an aseptic connection to tank or vessel. Nozzle can be directly welded to the tank at the tank interface surface.

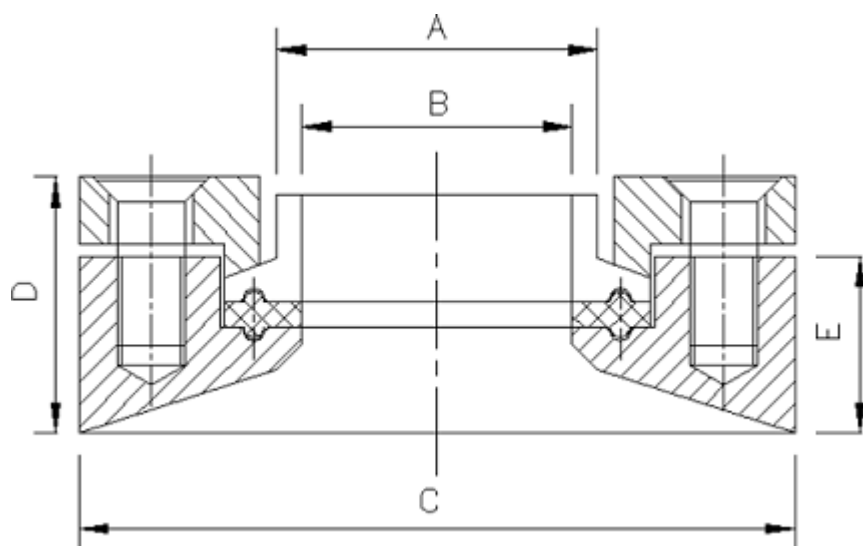
Hygienic adapter is provided to connect with the flow-line. It is available in various end connections sizes and can be butt-welded directly to the tube.

The gasket seal is provided to ensure completely safe and hygienic sealing of nozzle fittings.

Main Features

- Excellent aseptic design
- Fully machined from SS 316L
- Unique screwed fittings
- Various internal surface finish available

Dimensions



Nozzle for bio-process equipment, machined stainless steel body

Dimensions for end connections according to ASME BPE connection type

Connection Size	Pipe OD	Pipe ID	Nozzle OD	Assembly Height	Nozzle height
	A [mm]	B [mm]	C [mm]	D [mm]	E [mm]
1/2"	12.7	9.40	63	30.5	21
3/4"	19.05	15.75	88	30.5	21
1"	24.40	22.10	88	30.5	21
1 1/2"	38.10	34.80	88	30.5	21
2"	50.80	47.50	105	30.5	21
2 1/2"	63.50	60.20	117	30.5	21
3"	76.20	72.90	145	34.5	25
4"	101.60	97.40	170	34.5	25

Technical Data

Processing medium

Bio-pharmaceutical Products, High Purity Chemicals

Temperature

Media temperature	Ambient Temperature
-10°C to 90°C	Up to 90°C

Seal Material

PTFE/Silicon

Valve body material

MOC – Wetted (Contact)	MOC – Non-wetted (Non- contact)
Stainless Steel 316L	Stainless Steel 304

End connection

Butt-Weld	ASME BPE (EN ISO 1127/ISO 4200 and BS 4825 are available on request)
-----------	---

Data Order

Connection Size		Type of End Conn.		Certificate	
05	1/2"	Butt Weld	B	ISO 9001	9
07	3/4"				
10	1"				
15	1 1/2"				
20	2"				
25	2 1/2"				
30	3"				
40	4"				

Surface Finish		Connection Type	
Blast Polish	B	ASME BPE	A
Electrical Polish	E	BS 4825	B
Mechanical Polish	M	EN ISO 1127 / ISO 4200	E

Order Example	LE	BN	A	10	E	B	9
Leistung							
Series #							
Conn. Type							
Conn. Size							
Surface Finish							
End Conn. Type							
Certificate							

Notes:

- BPE nozzle with end connection sizes according to EN ISO 1127/ISO 4200 and BS 4825 are available on request

Contact: info@titangroupsupply.com
<https://www.titangroupsupply.com/>

Tel: 1-800-820-0092

Fax: 1-416-849-0116

For further diaphragm valves, gaskets, compatible actuators & accessories and other products, please contact us for pricing.