

1.5 INCH CLAMP ASSEMBLY NOT TO SCALE

(PART-1) 1993 CLASS M.  
 0 03  
 0 03

A-182M F 316L	LETDC/SA-182M/F316L REV. 0
ALICON	
A-479M GR 316L	LETDC/SA-479M/316L REV. 0
A-479M GR 316L	LETDC/SA-479M/316L REV. 0
A-351M GR CF8	LETDC/SA-351M/CF8 REV. 0
A-479M GR 304	LETDC/SA-479M/304 REV. 0
A-479M GR 304	LETDC/SA-479M/304 REV. 0
A-351M GR CF8	LETDC/SA-351M/CF8 REV. 0
A-351M GR CF8	LETDC/SA-351M/CF8 REV. 0

M.O.C. T.D.C.

*Peri*  
 05-01-17  
*Rajm*  
 05/01/17  
*K.S.*  
 05-01-17

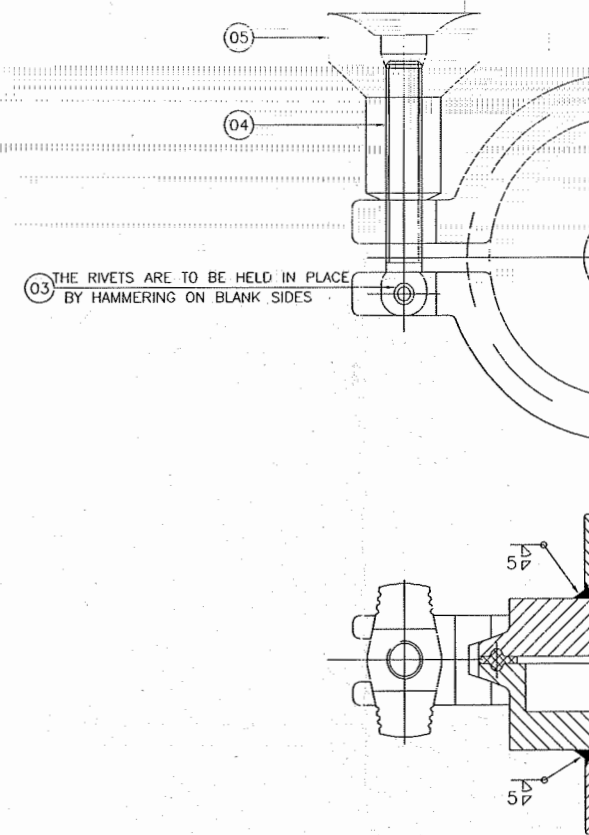
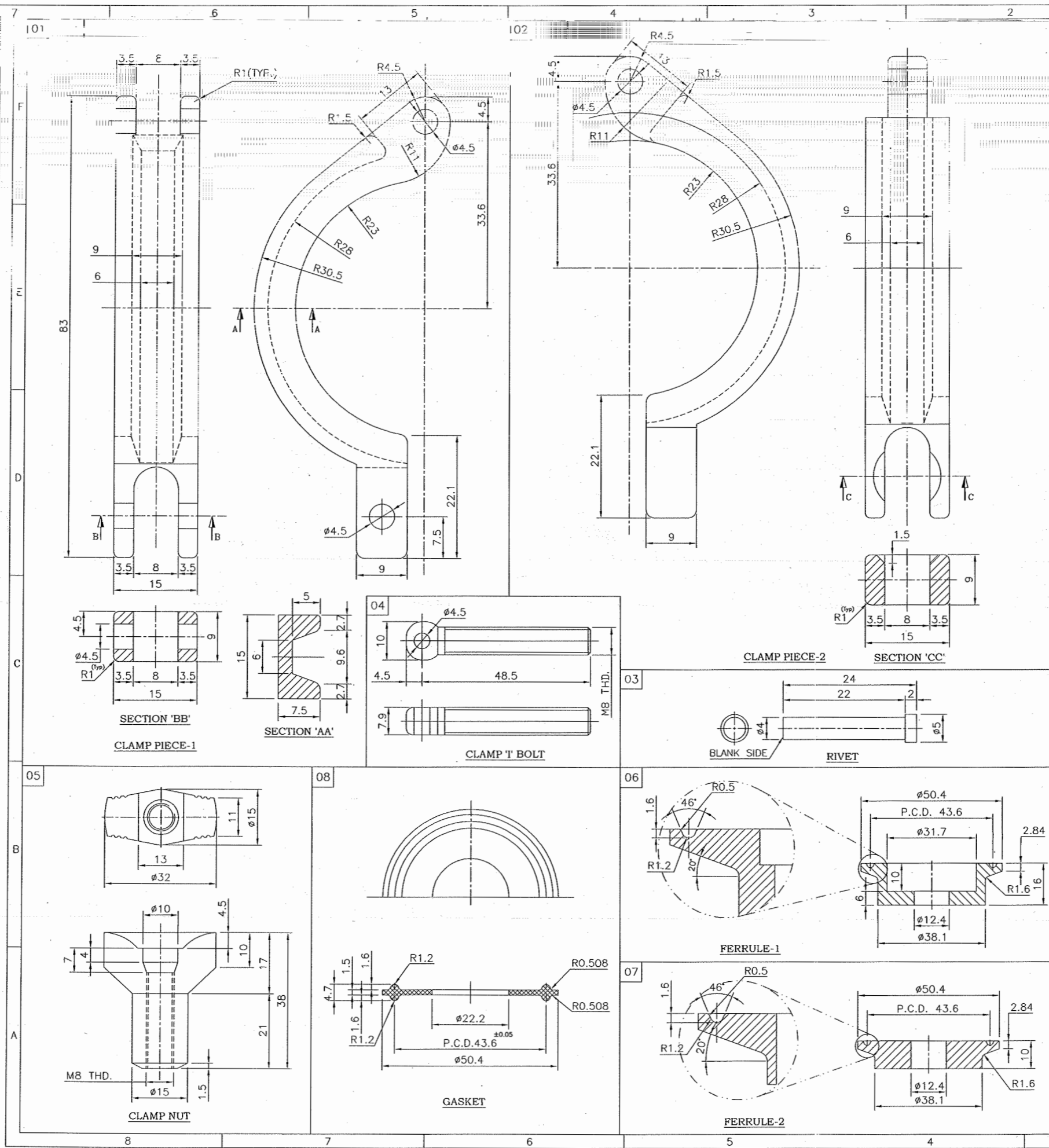
R.V.	D.R.	K.S.
DRN	CHK	APPD

ENGINEERING PVT. LTD.  
 AHMEDABAD, INDIA

1.5 INCH CLAMP ASSEMBLY

OF 1.5" CLAMP ASSEMBLY

REV.	0
------	---



NOTE :-  
 1, ALL DIMENSIONS ARE IN MM, UNLESS OTHERWISE INDICATED.  
 2, REMOVE SHARP EDGES.  
 3, TOLERANCE OTHERWISE NOT STATED SHALL BE AS PER IS 2102  
 4, PART NO 01 AND PART NO 02 ARE TO BE RIVETED BY PART N  
 5, PART NO 01 AND PART NO 04 ARE TO BE RIVETED BY PART N

SR. NO.	DESCRIPTION	QTY.	SIZE
09	HALF COUPLING	02	ASME B16.11 NPS 1/4 CL 3000
08	GASKET	01	AS SHOWN IN DRAWING
07	FERRULE-2	01	Ø50.4 x 10 L
06	FERRULE-1	01	Ø50.4 x 16 L
05	CLAMP NUT	01	AS SHOWN IN DRAWING
04	CLAMP 'I' BOLT	01	Ø10 x 53 L
03	RIVET	02	Ø6 x 24 L
02	CLAMP PIECE-2	01	AS SHOWN IN DRAWING
01	CLAMP PIECE-1	01	AS SHOWN IN DRAWING



0	05/01/17	FIRST ISSUE
REV.NO.	DATE	DESCRIPTION

**LEISTUNG** LEISTUNG ENGI  
 AHMEDA

DRN	R.V.	05/01/17	TITLE:-
CHK	D.R.	05/01/17	DETAILS OF 1.5
APPD	K.S.	05/01/17	
SCALE	AS SHOWN		APPLICATION : PROOF TEST
CATEGORY	SHEET NO.		DRG. NO.
DETAIL	1 OF 1		LETA15T