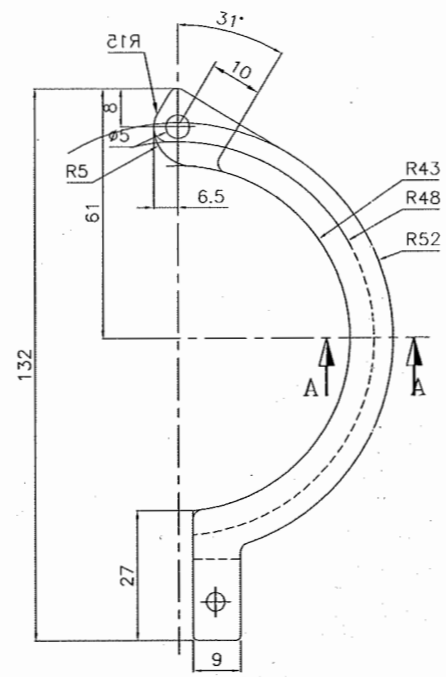
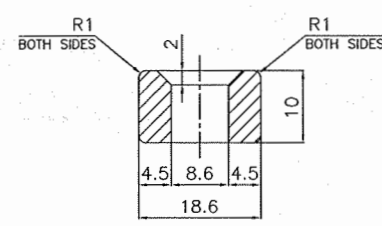


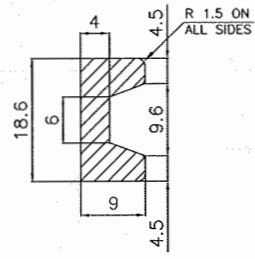
CLAMP PIECE-1



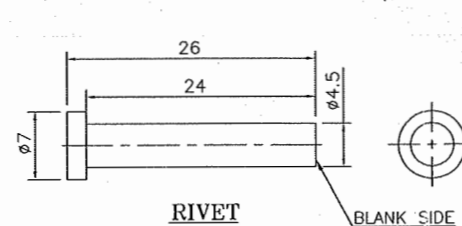
CLAMP PIECE-2



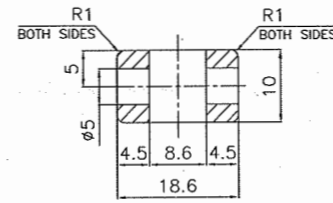
SECTION BB



SECTION AA

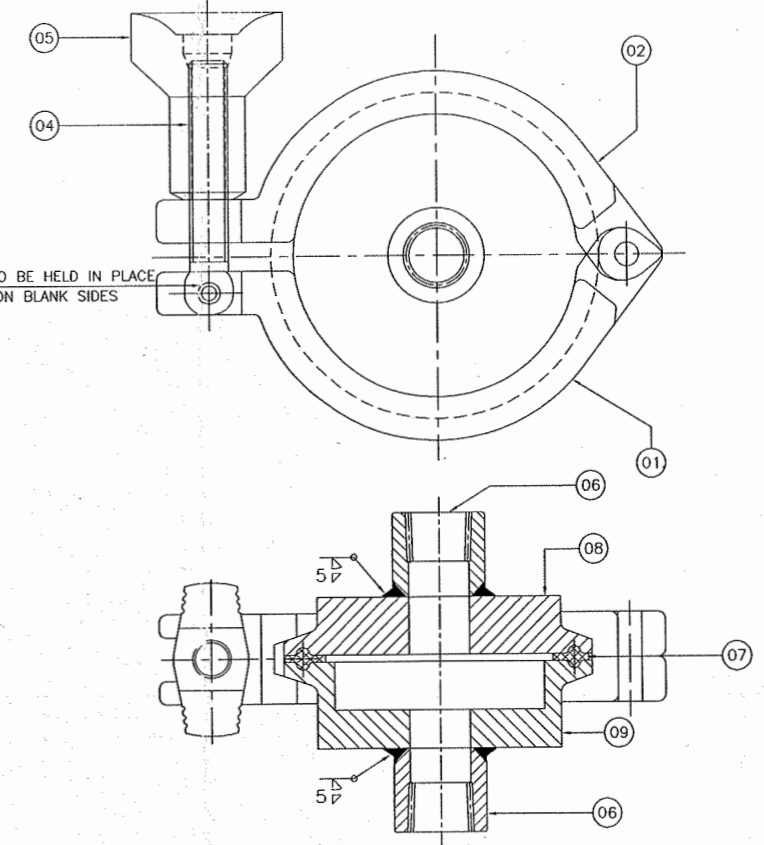


RIVET



SECTION CC

03 THE RIVETS ARE TO BE HELD IN PLACE BY HAMMERING ON BLANK SIDES



3 INCH CLAMP ASSEMBLY NOT TO SCALE

NOTE :-

1. ALL DIMENSIONS ARE IN MM, UNLESS OTHERWISE INDICATED.
2. REMOVE SHARP EDGES.
3. TOLERANCE OTHERWISE NOT STATED SHALL BE AS PER IS 2102(PART-1) 1993 CLASS M.
4. PART NO 01 AND PART NO 02 ARE TO BE RIVETED BY PART NO 03
5. PART NO 01 AND PART NO 04 ARE TO BE RIVETED BY PART NO 03

09	FERRULE-2	01	Ø90.9 x 22 L	SA-479M GR 316L	LETDC/SA-479M/316L REV. 0
08	FERRULE-1	01	Ø90.9 x 15 L	SA-479M GR 316L	LETDC/SA-479M/316L REV. 0
07	GASKET	01	AS SHOWN IN DRAWING	SILICON	-
06	HALF COUPLING	02	ASME B16.11 NPS 1/4 CL 3000	SA-182M F 316L	LETDC/SA-182M/F316L REV. 0
05	CLAMP NUT	01	AS SHOWN IN DRAWING	SA-351M GR CFB	LETDC/SA-351M/CFB REV. 0
04	CLAMP 'I' BOLT	01	Ø10 x 54.5 L	SA-479M GR 304	LETDC/SA-479M/304 REV. 0
03	RIVET	02	Ø7 x 26 L	SA-479M GR 304	LETDC/SA-479M/304 REV. 0
02	CLAMP PIECE-2	01	AS SHOWN IN DRAWING	SA-351M GR CFB	LETDC/SA-351M/CFB REV. 0
01	CLAMP PIECE-1	01	AS SHOWN IN DRAWING	SA-351M GR CFB	LETDC/SA-351M/CFB REV. 0
SR. NO.	DESCRIPTION	QTY.	SIZE	M.O.C.	T.D.C.

ASME

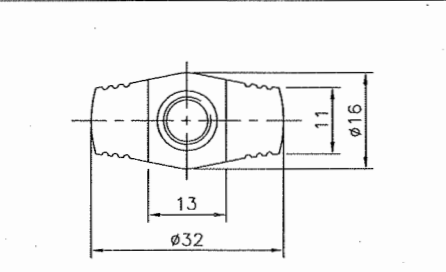
Peer 05-01-17
Pym 05/01/17
K.S. 05-01-2017

0	05/01/17	FIRST ISSUE	R.V.	D.R.	K.S.
REV.NO.	DATE	DESCRIPTION	DRN	CHK	APPD

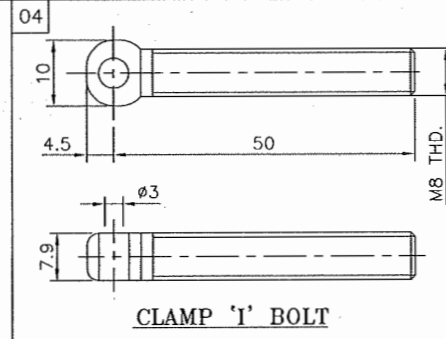
LEISTUNG LEISTUNG ENGINEERING PVT. LTD. AHMEDABAD. INDIA

DRN	R.V.	05/01/17	TITLE:-
CHK	D.R.	05/01/17	DETAILS OF 3 INCH CLAMP ASSEMBLY
APPD	K.S.	05/01/17	

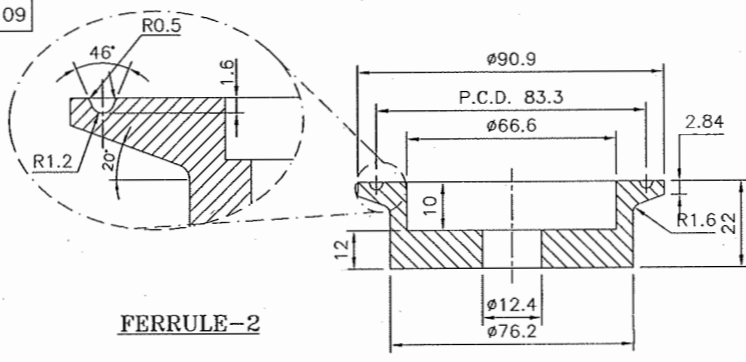
SCALE	AS SHOWN	APPLICABLE :	PROOF TEST OF 3" CLAMP ASSEMBLY
CATEGORY	SHEET NO.	DRG. NO. :	REV.
DETAIL	1 OF 1	LETA30T	0



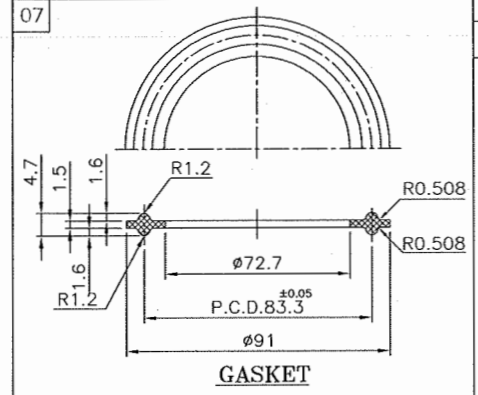
CLAMP NUT



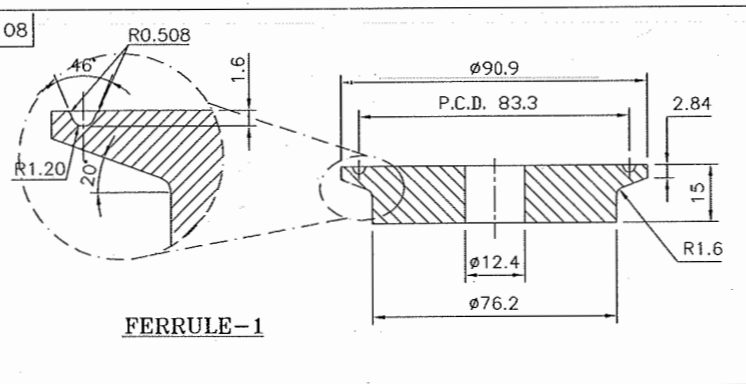
CLAMP 'I' BOLT



FERRULE-2



GASKET



FERRULE-1