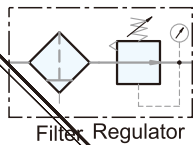


Symbol



Features

1. Remove water and particle effectively.
2. 40 μ m and 5 μ m filter element are easily interchangeable and replaceable.
3. Accurate and easy pressure setting.

How to order

NUFR	-	02	N	C	G	H	A
Filter Regulator	Port size	Thread	Filtration	Gauge type	Drain	Bowl	
	02: 1/4"	Blank :G	PE	Blank : Square	Blank : Semi-auto drain	Blank : Standard bowl	
	03: 3/8"	N :NPT	Blank :5 μ m	G : Circle	H : Manual drain	A : Anti-acid & alkali bowl	
	04: 1/2"	R :Rc	C :40 μ m		D : Auto drain	AL : Aluminum bowl	
			Sintered brass				
			S :5 μ m				
			T :40 μ m				

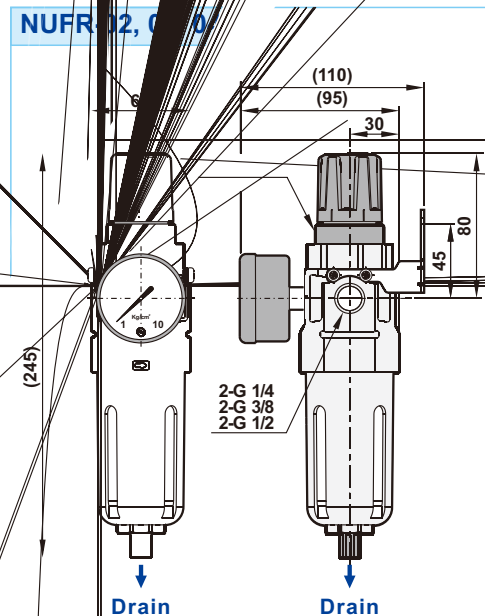
Please contact our sales for non-relieving type.

*For non-relieving type, the secondary pressure is not allowed to be exhausted when it is higher than setting pressure.

Specifications

Model	NUFR-02	NUFR-03	NUFR-04
Port size	1/4"	3/8"	1/2"
Fluid	Compressed air		
Regulator construction	Piston		
Body material	Aluminum die-cast		
Bowl material	Polycarbonate (Standard), Anti-acid & alkali bowl (Option), Aluminum bowl (Option)		
Filtration	PE: 5 μ m (Standard), 40 μ m (Option); Sintered brass(Option):5 μ m, 40 μ m		
Operating pressure range	0.5 ~ 9.9 kgf/cm ²		
Max. inlet pressure	15 kgf/cm ²		
Max. flow rate l/min (ANR)	2080	2100	2600
Ambient temperature	-10 $^{\circ}$ C ~ 60 $^{\circ}$ C		
Filter bowl capacity	105cc		
Standard drain	Semi-auto drain (Drains below 0.5kgf/cm ²)		
Net weight	810g (W/I Aluminum bowl, 1010g)		
Accessories	Mounting bracket set, Plug		
Option	Gauge plate, Mounting nut		

Dimensions



Flow chart

Note:

- X axis: Flow (l/min)
- Y axis: Pressure (kgf/cm²)
- Blue line (P0) = Outlet pressure
- Black line (P1) = Inlet pressure
- P1-P0= Pressure range